



Client _____ Quantity _____
 Project _____ Position _____

FUN 650

Model: F65/110TPFGFB/P

Cod: MP01052112002

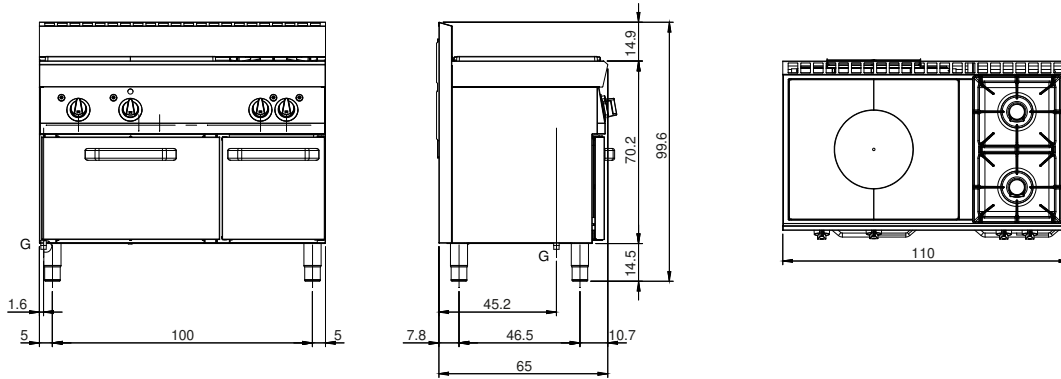
Technical data

Modularity:	Gas oven
Dimension (mm):	1100x650x850
Oven dimension (mm):	555x540x270
Total gas power (Kcal/h):	19433
Total gas power (kW):	22,6
Whole-plate power gas (kW):	8,2
Oven type:	Static oven
Oven power (kW):	5
Oven temperature range (°C):	150-300
Gas connection:	1/2"
Net volume (m3):	0,608
Packing dimensions (mm):	1176x776x1180
Gross weight (kg):	135
Burner power 1 (kW):	5
Burner power 2 (kW):	3,6
Gross volume (m3):	1,077

Features

Grill:	In cast iron with long spokes
Working top:	Made of AISI 304 stainless steel with a thickness of 10/10 mm
Knobs:	Knobs are made from a sturdy heat-resistant polymer blend and are equipped with liquid anti-leakage washer
Handles:	Brushed aluminum finish
Kit Gas:	Natural gas conversion kit 30/50 m/bar (tested with natural gas G20)

Technical draw



G: Gas connection 1/2"