



Client _____ Quantity _____
Project _____ Position _____

FUN 700

Model: F70/110CFGB

Cod: MP01032133001

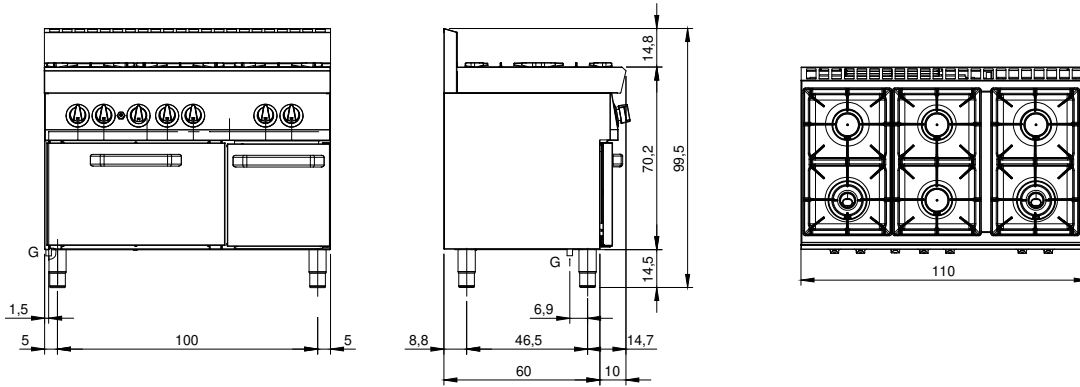
Technical data

Modularity:	Gas oven
Dimension (mm):	1100x700x850
Oven dimension (mm):	555x540x270
Total gas power (Kcal/h):	26484
Total gas power (kW):	30,8
Oven type:	Static oven
Oven power (kW):	5
Oven temperature range (°C):	150-300
Gas connection:	1/2"
Net volume (m3):	0,655
Packing dimensions (mm):	1176x776x1180
Gross weight (kg):	130
Burner power 1 (kW):	5,5
Burner power 2 (kW):	3,7
Burner power 3 (kW):	3,7
Burner power 4 (kW):	3,7
Burner power 5 (kW):	5,5
Burner power 6 (kW):	3,7
Gross volume (m3):	1,077

Features

Burners:	Double or single crown cast iron version available with a pilot light
Grill:	Cast-iron with brass single- and double-crown burner with pilot
Working top:	Made of AISI 304 stainless steel with a thickness of 10/10 mm and removable enamelled containers
Knobs:	Knobs are made from a sturdy heat-resistant polymer blend and are equipped with liquid anti-leakage washer
Handles:	Brushed aluminum finish
Kit Gas:	Natural gas conversion kit 30/50 m/bar (tested with natural gas G20)

Technical draw



G: Gas connection 1/2"