



Client _____ Quantity _____
Project _____ Position _____

FUN 700

Model: F70/80IND/A

Cod: MP01132123003

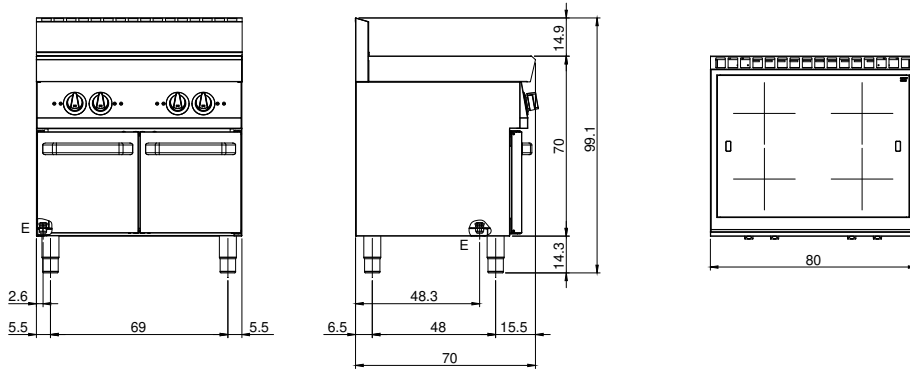
Technical data

Modularity:	On open cabinet
Dimension (mm):	800x700x850
Total electric power (kW):	14
Electric power (V):	380-415
Ampere (A):	21,5
Phases:	3N
Cable section (mmq):	5G4
Frequency (Hz):	50-60
Net volume (m3):	0,48
Packing dimensions (mm):	880x856x1274
Gross weight (kg):	55
Gross volume (m3):	0,960

Features

Working top:	Made of AISI 304 stainless steel with a thickness of 10/10 mm
Knobs:	Knobs are made from a sturdy heat-resistant polymer blend and are equipped with liquid anti-leakage washer

Technical draw



E: Electric power