



Client _____ Quantity _____

Project _____ Position _____

ROC 1100

Model: R110/40BMFE/P

Cod: MP01575125002

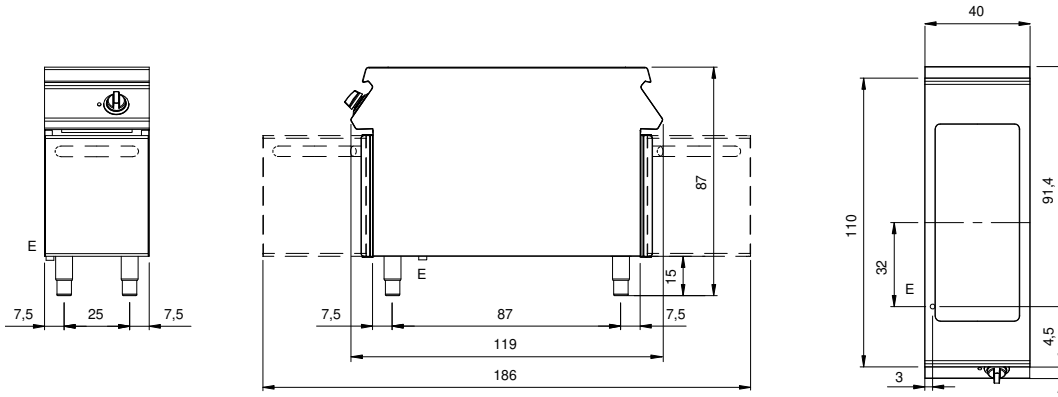
Technical data

Modularity:	On cabinet with doors
Dimension (mm):	400x1100x870
Total electric power (kW):	6,6
Cooking zone dimensions 1 (LxD mm):	320x750
Nr. Wells:	1
Well litres 1:	18
Well dimensions 1 (mm):	320x750x98
Electric power (V):	380-415
Ampere (A):	10,5
Phases:	3N
Cable section (mmq):	5G1,5
Frequency (Hz):	50-60
Net volume (m3):	0,383
Packing dimensions (mm):	480x1272x1240
Gross weight (kg):	92
Gross volume (m3):	0,757

Features

Working top:	Rrealizzato in acciaio inox AISI 304 spessore 2 mm
Material of plate:	Chrome
Plate finish:	Smooth
Tipologia ribaltamento:	Manual
Knobs:	Made of aluminum with IPX5 water protection
Handles:	The brushed aluminum handles allow for a secure and sturdy grip with a ergonomic lines
Heating:	Armored heating elements positioned under the well

Technical draw



E: Electric power