



Client _____ Quantity _____
Project _____ Position _____

ROC 1100

Model: R110/40FRGV/1V22/P **Cod:** MP01295115003

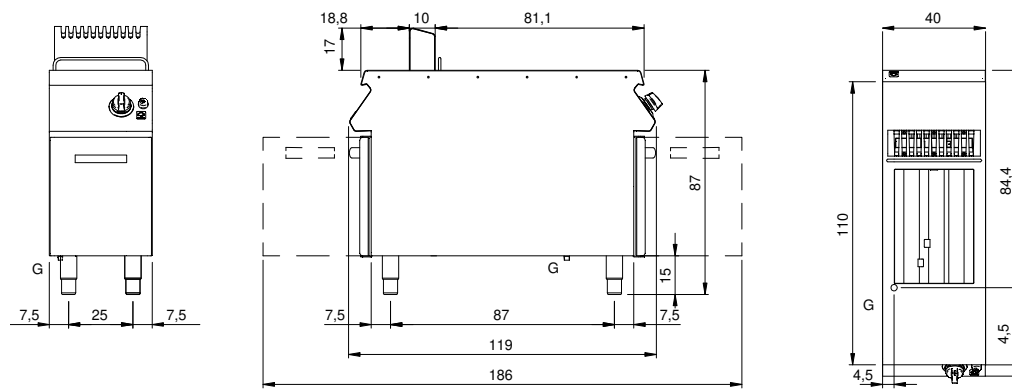
Technical data

Modularity:	On cabinet with doors
Dimension (mm):	400x1100x870
Total gas power (Kcal/h):	17197
Total gas power (kW):	20
Nr. Wells:	1
Well litres 1:	22
Well dimensions 1 (mm):	309x442x318
Gas connection:	1/2"
Net volume (m3):	0,383
Packing dimensions (mm):	480x1272x1240
Gross weight (kg):	97
Gross volume (m3):	0,757

Features

Burners:	In the well
Working top:	Made of AISI 304 stainless steel with a thickness of 2 mm
Type of heating:	Direct
Knobs:	Made of aluminum with IPX5 water protection
Kit Gas:	Natural gas conversion kit 30/50 m/bar (tested with natural gas G20)

Technical draw



G: Gas connection 1/2"