



Client \_\_\_\_\_ Quantity \_\_\_\_\_  
 Project \_\_\_\_\_ Position \_\_\_\_\_

## ROC 1100

**Model:** R110/60CPG/1V40      **Cod:** MP01215115001

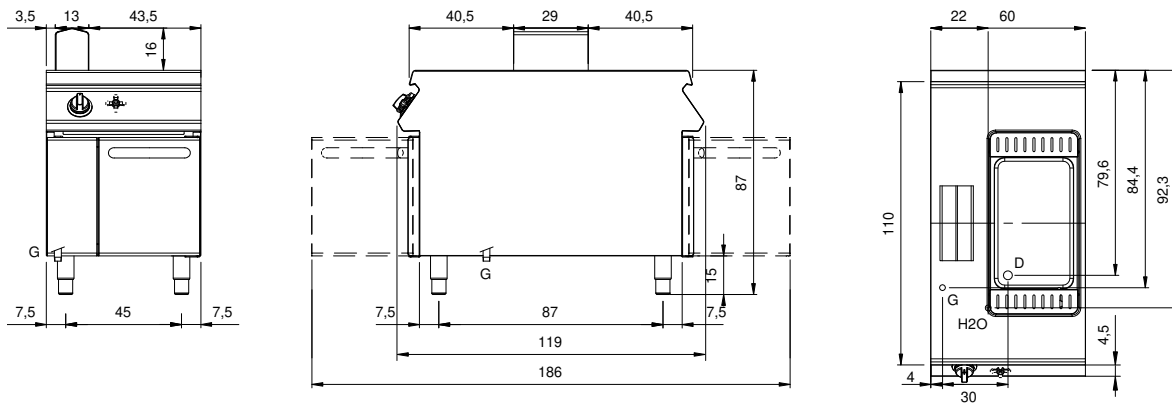
### Technical data

<b>Modularity:</b>	On cabinet with doors
<b>Dimension (mm):</b>	600x1100x870
<b>Total gas power (Kcal/h):</b>	10147
<b>Total gas power (kW):</b>	11,8
<b>Nr. Wells:</b>	1
<b>Well litres 1:</b>	40
<b>Well dimensions 1 (mm):</b>	306x508x242
<b>Gas connection:</b>	1/2"
<b>Cold water inflow:</b>	3/4"
<b>Cold water pressure (bar):</b>	Max pressure 5 bar
<b>Drain size:</b>	1"
<b>Net volume (m3):</b>	0,574
<b>Packing dimensions (mm):</b>	880x1272x1274
<b>Gross weight (kg):</b>	105
<b>Gross volume (m3):</b>	1,426

### Features

<b>Working top:</b>	Made of AISI 304 stainless steel with a thickness of 2 mm
<b>Knobs:</b>	Made of aluminum with IPX5 water protection
<b>Flue:</b>	Made of AISI 304 stainless steel
<b>Water inflow:</b>	With tap
<b>Kit Gas:</b>	Natural gas conversion kit 30/50 m/bar (tested with natural gas G20)

**Technical draw**



**G:** Gas connection 1/2"

**E:** Electric power

**D:** Drain for water

**H2O:** Water inflow 3/4"