

Client _____ Quantity _____
 Project _____ Position _____



ROC 1100

Model: R110/60PCEQ/P

Cod: MP01015125002

Technical data

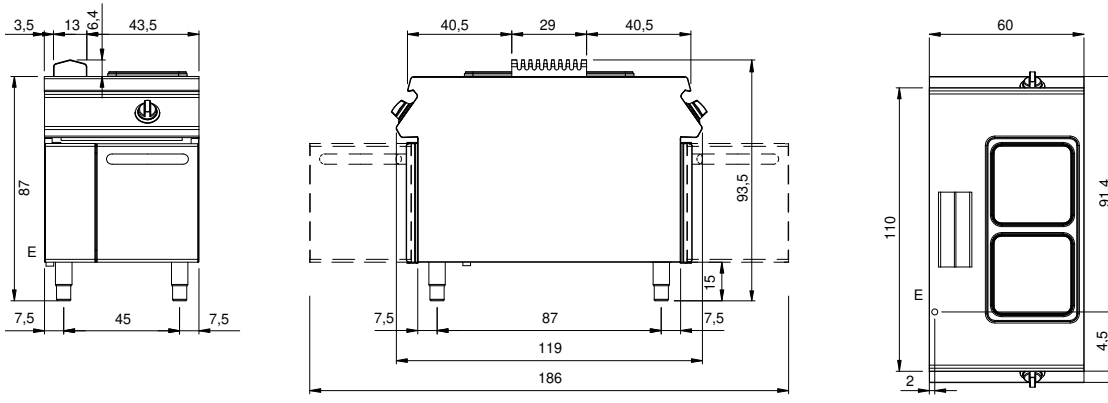
Modularity:	On cabinet with doors
Dimension (mm):	600x1100x870
Total electric power (kW):	8
Electric power (V):	380-415
Ampere (A):	18,5
Phases:	3N
Cable section (mmq):	5G2,5
Frequency (Hz):	50-60
Net volume (m3):	0,574
Packing dimensions (mm):	880x1272x1274
Gross weight (kg):	116
Gross volume (m3):	1,426

Features

Working top:	Rrealizzato in acciaio inox AISI 304 spessore 2 mm
Knobs:	Made of aluminum with IPX5 water protection
Handles:	The brushed aluminum handles allow for a secure and sturdy grip with a ergonomic lines
Flue:	Made of AISI 304 stainless steel

In order to constantly offer the best possible products we reserve the right to make changes on technical specifications without incurring any obligation for equipment previously or subsequently sold.

Technical draw



E: Electric power